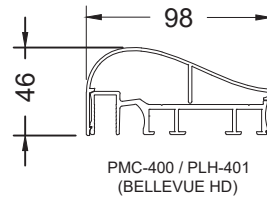
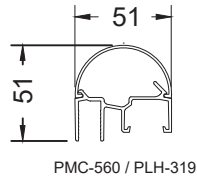
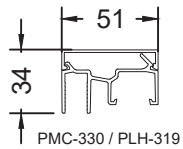
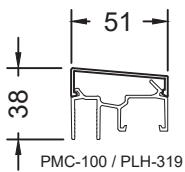
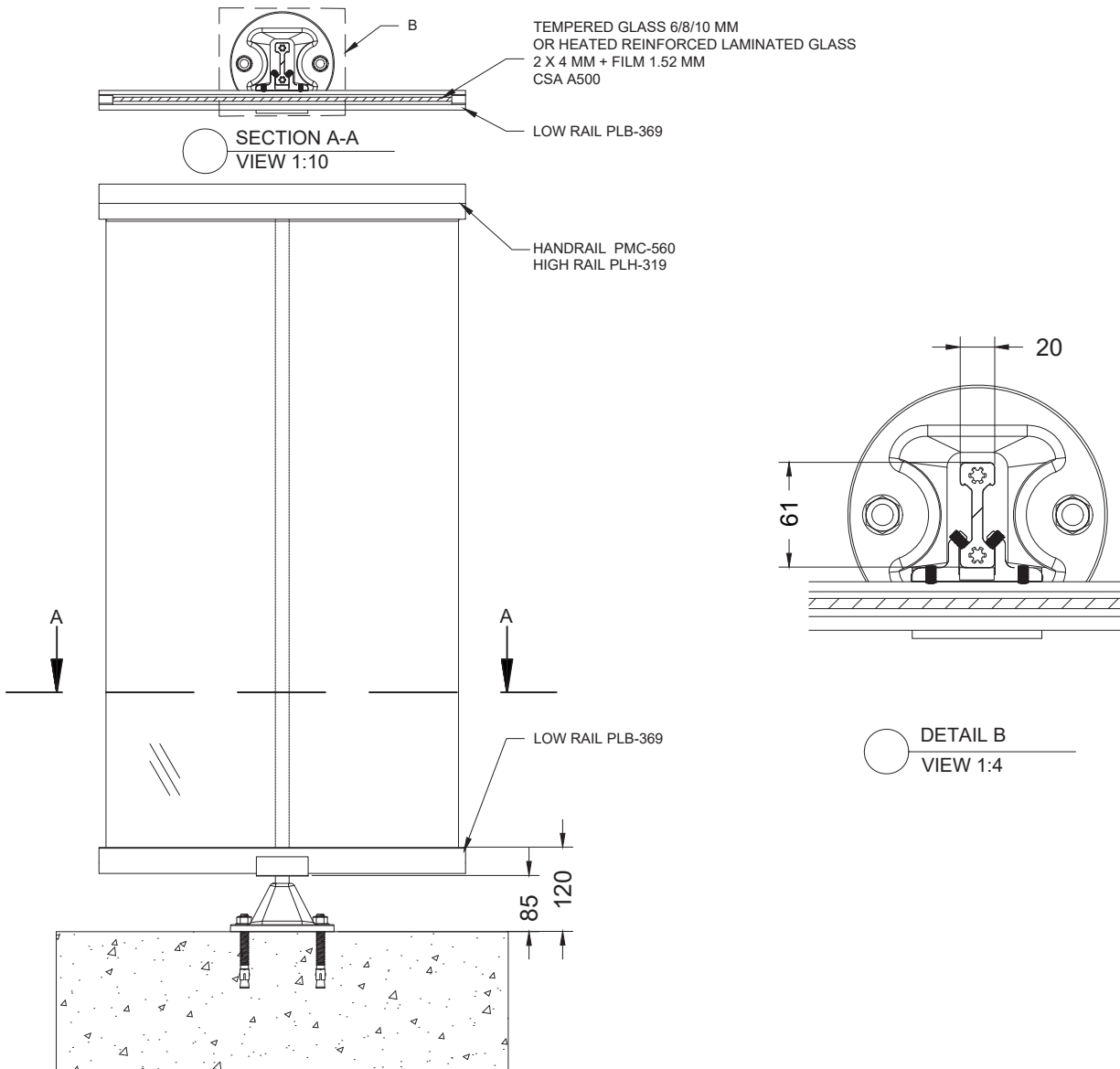


Scale : 1:8

BELLEVUE MODEL - ON SLAB - ABUTMENT UNDER HANDRAIL



CHOICE OF HANDRAIL

Scale : 1:10

BELLEVUE MODEL - ON SLAB - ABUTMENT UNDER HANDRAIL