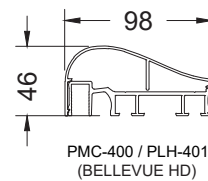
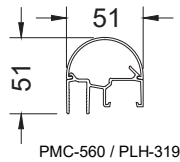
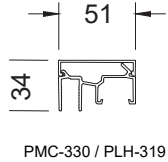
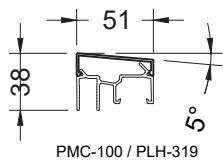
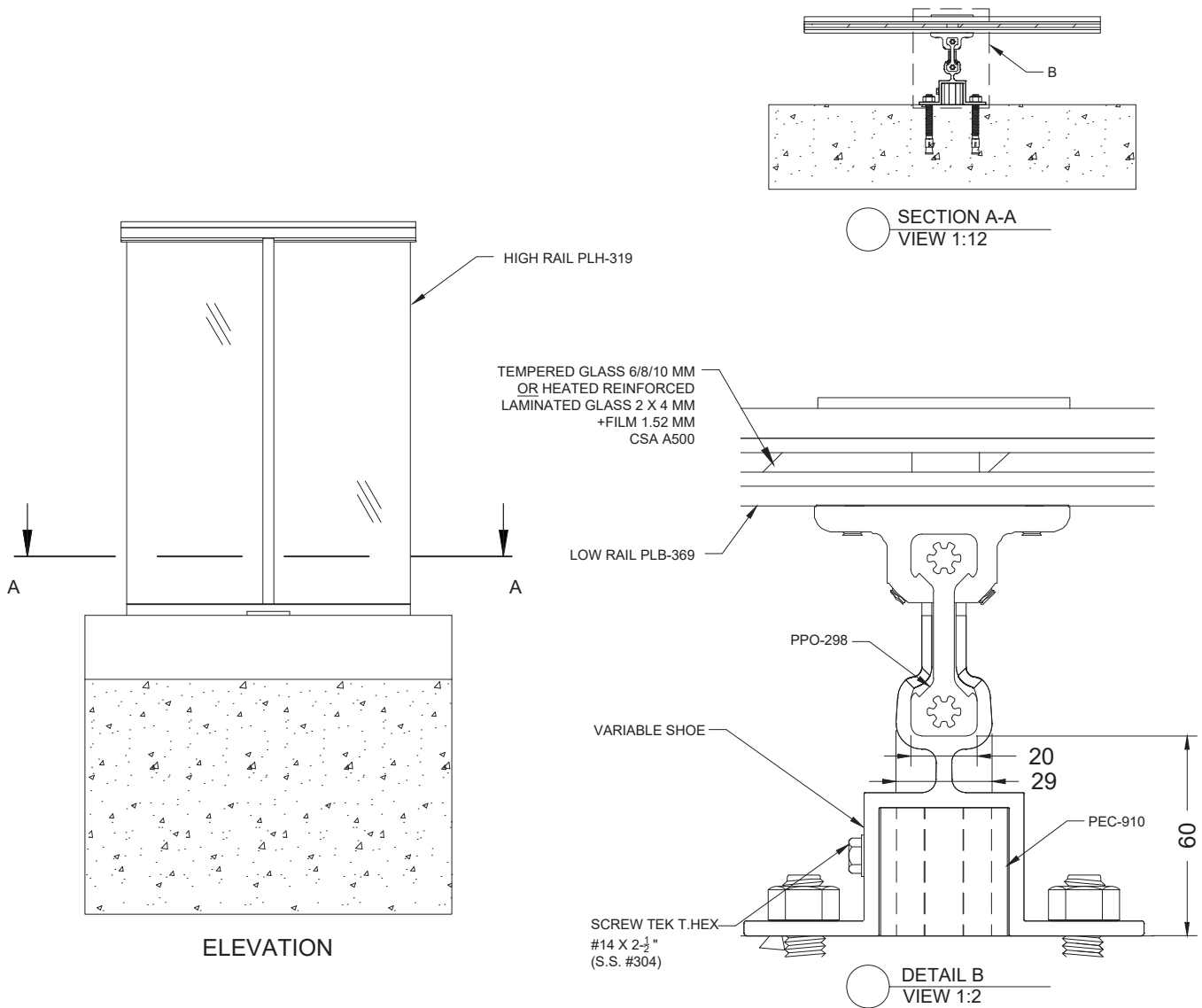


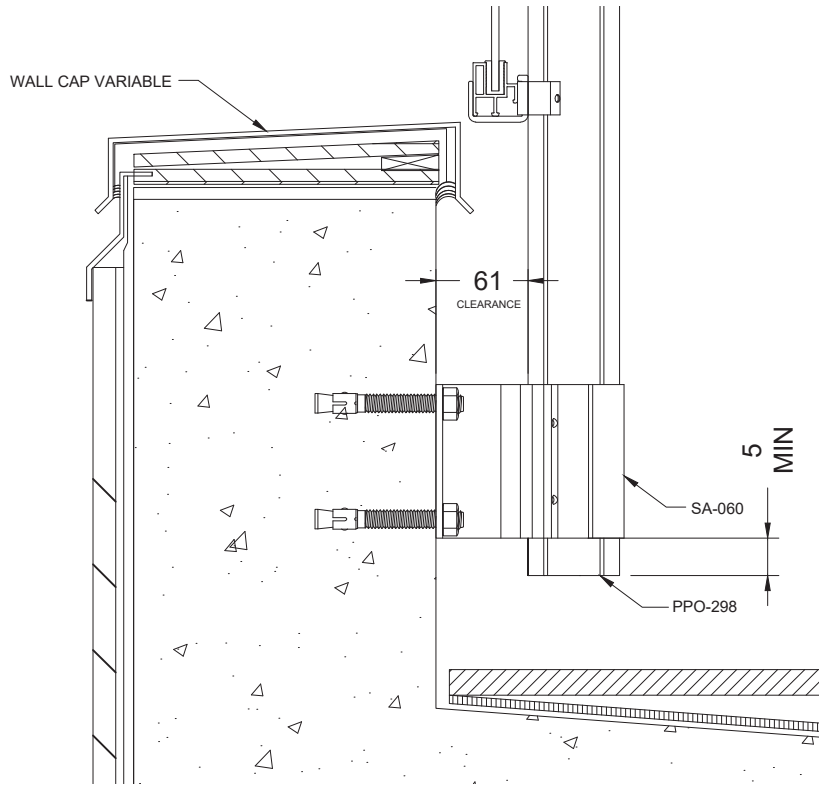
BELLEVUE MODEL - SIDE FIXTURE ON ABUTMENT WALL UNDER HANDRAIL



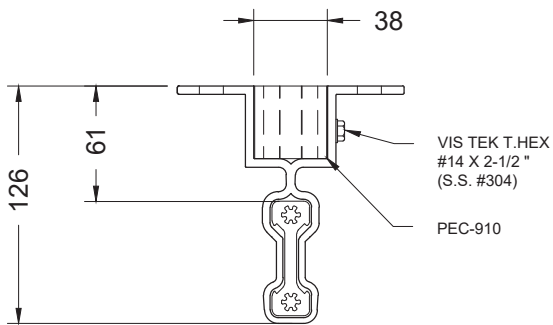
**CHOICE OF HANDRAILS**

**BELLEVUE MODEL - SIDE FIXTURE ON ABUTMENT WALL UNDER HANDRAIL**

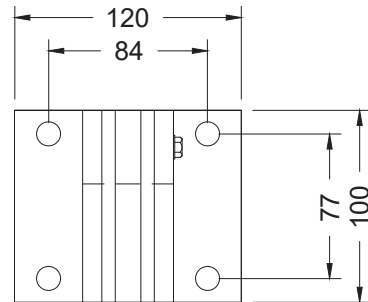
Scale : 1:12



○ DETAIL SA-160  
VIEW 1:5



○ DETAIL SA-160  
VIEW 1:4

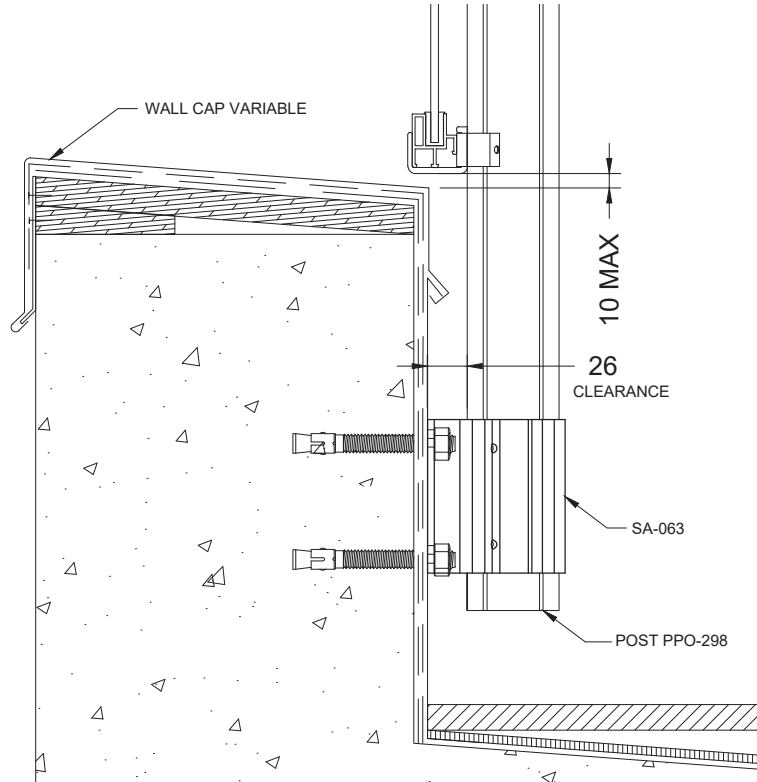


○ DETAIL SA-160  
VIEW 1:4

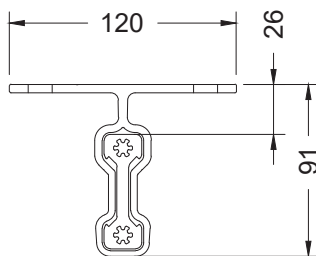
**SHOE OPTION SA-160**

**BELLEVUE MODEL - SIDE FIXTURE ON ABUTMENT WALL UNDER HANDRAIL**

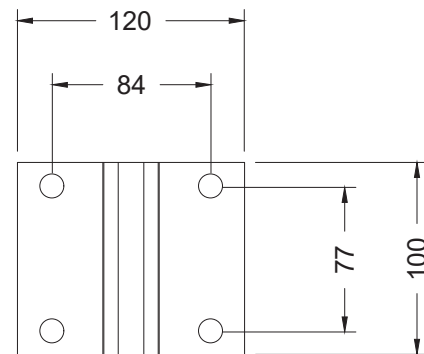
Scale : indiquée



○ DETAIL SA-063  
VIEW 1:5



○ DETAIL SA-063  
VIEW 1:4

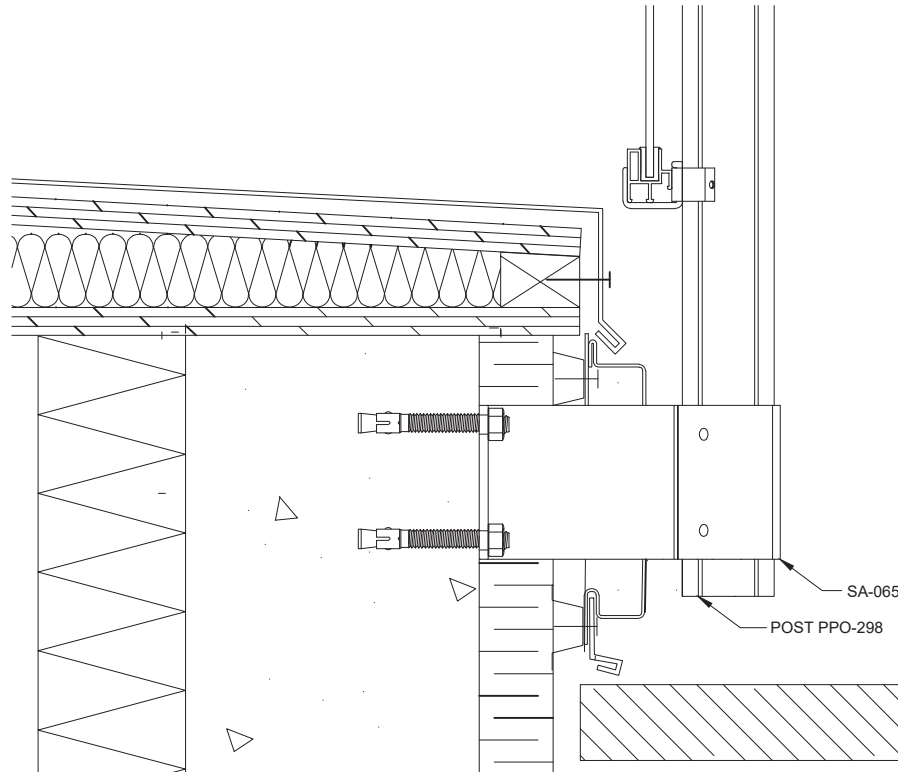


○ DETAIL SA-063  
VIEW 1:4

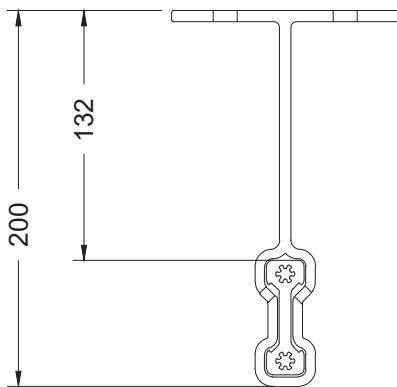
**SHOE OPTION SA-063**

Scale indicated

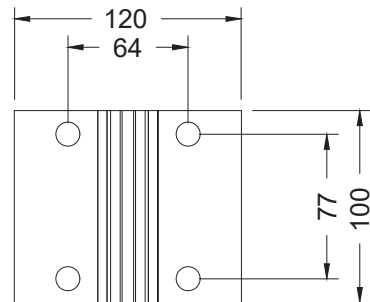
**BELLEVUE MODEL - SIDE FIXTURE ON ABUTMENT WALL UNDER HANDRAIL**



○ DETAIL SA-065  
VIEW 1:5



○ DETAIL SA-065  
VIEW 1:4

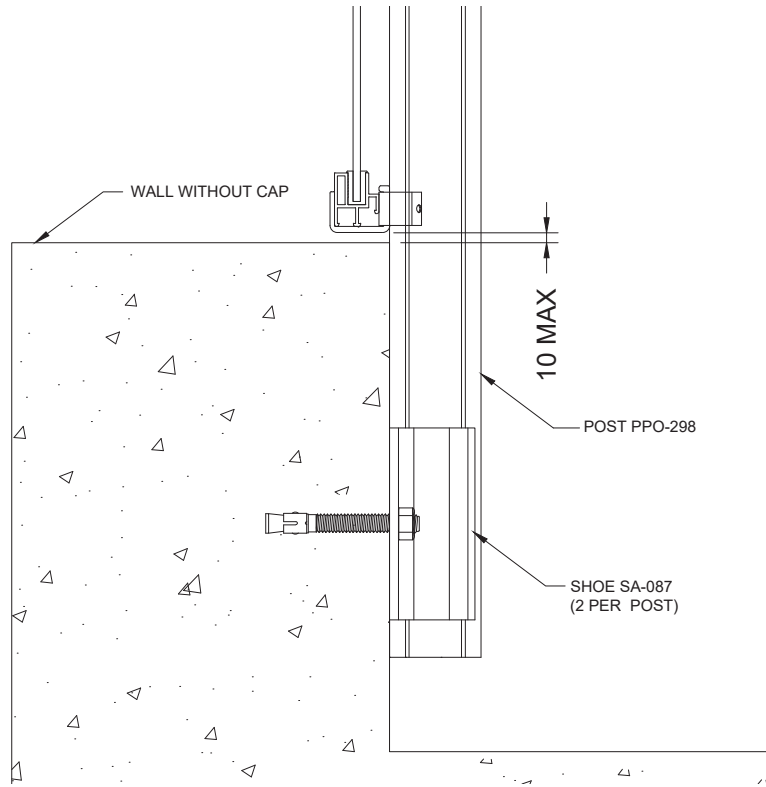


○ DETAIL SA-065  
VIEW 1:4

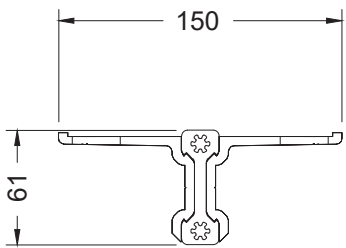
SHOE OPTION SA-065

BELLEVUE MODEL - SIDE FIXTURE ON ABUTMENT WALL UNDER HANDRAIL

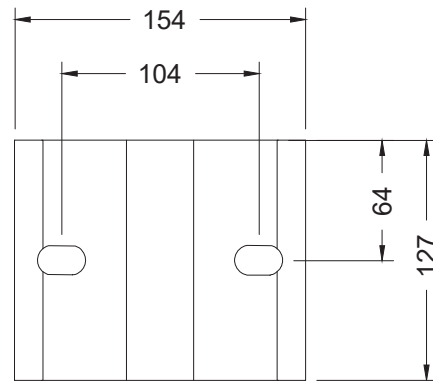
Scale indicated



○ DETAIL SA-087  
VIEW 1:5



○ DETAIL SA-087  
VIEW 1:4



○ DETAIL SA-087  
VIEW 1:4

SHOE OPTION SA-087

Scale indicated

BELLEVUE MODEL - SIDE FIXTURE ON ABUTMENT WALL UNDER HANDRAIL