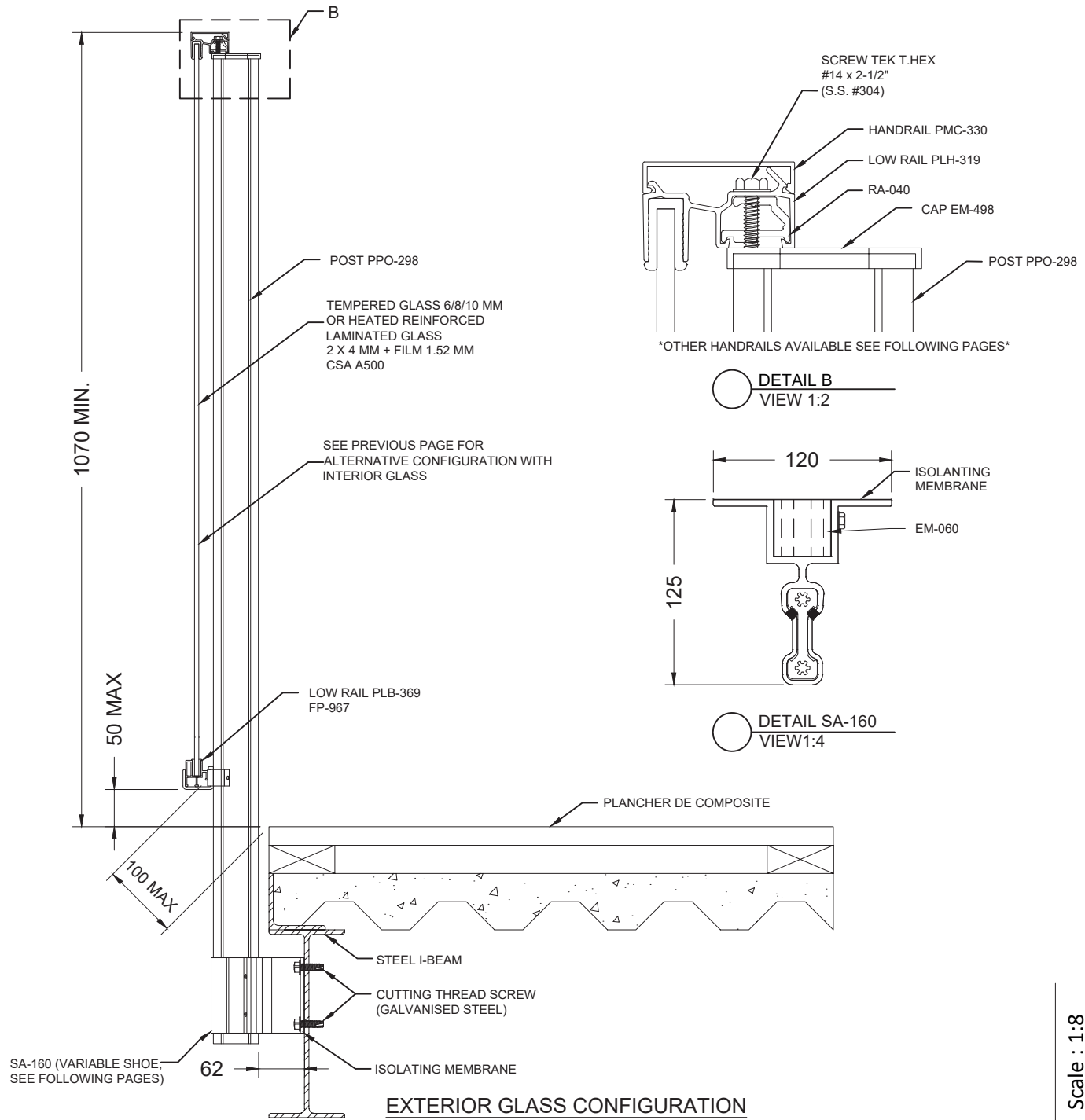


INTERIOR GLASS CONFIGURATION

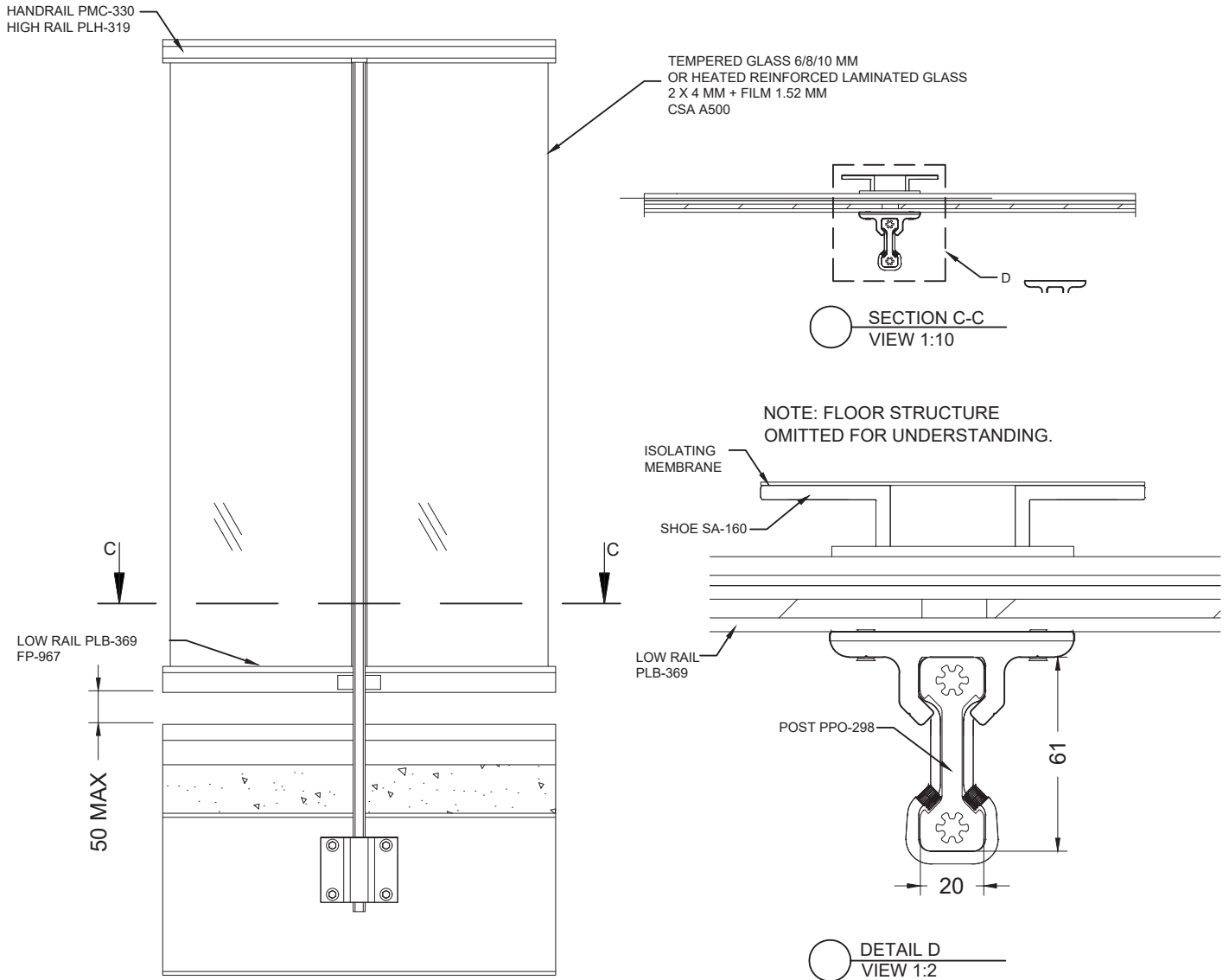
BELLEVUE MODEL - OPENWORK SLAB FRONT - FIXED ON STEEL PROFILE

Scale : 1:8

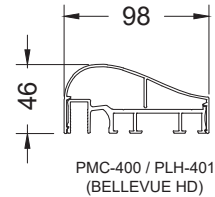
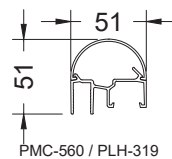
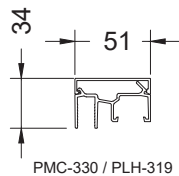
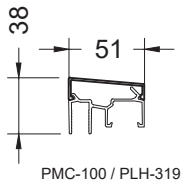


BELLEVUE MODEL - OPENWORK SLAB FRONT - FIXED ON STEEL PROFILE

Scale : 1:8



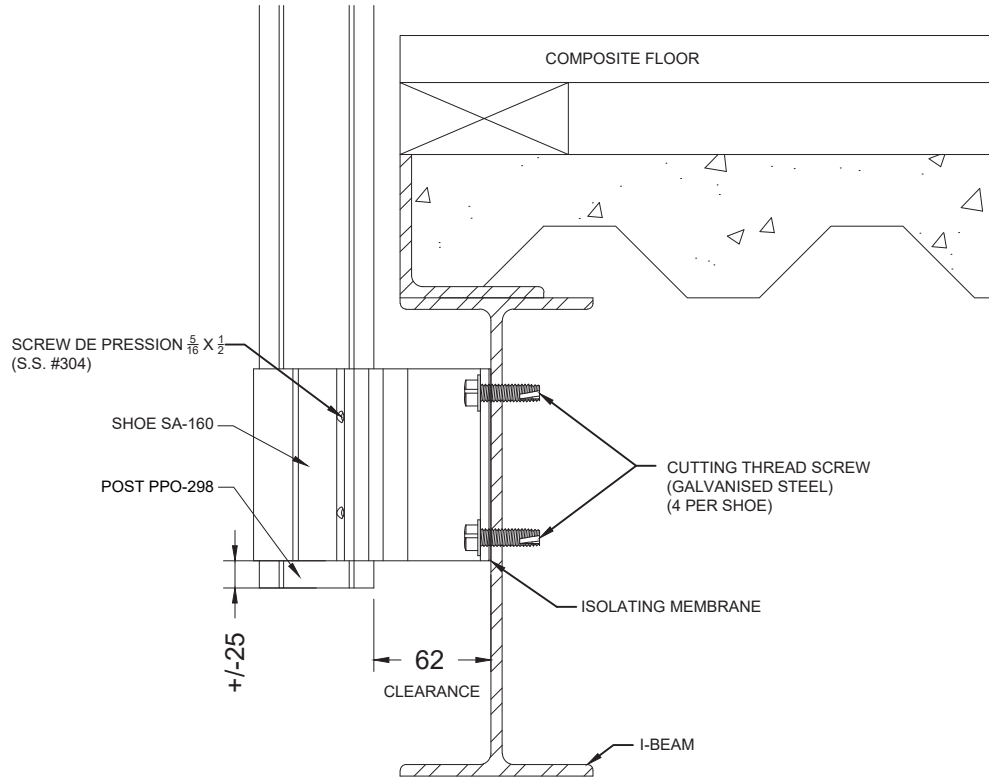
INTERIOR GLASS CONFIGURATION



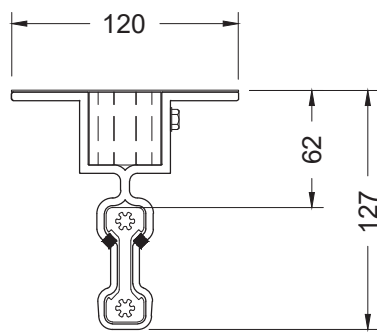
CHOICE OF HANDRAILS

BELLEVUE MODEL - OPENWORK SLAB FRONT - FIXED ON STEEL PROFILE

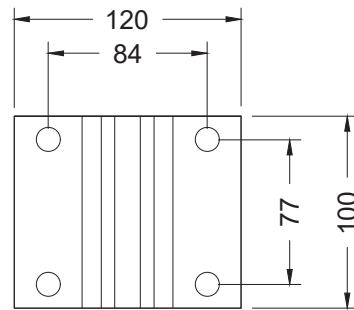
Scale : 1:10



○ DETAIL SA-160
VIEW 1:4



○ DETAIL SA-160
VIEW 1:4

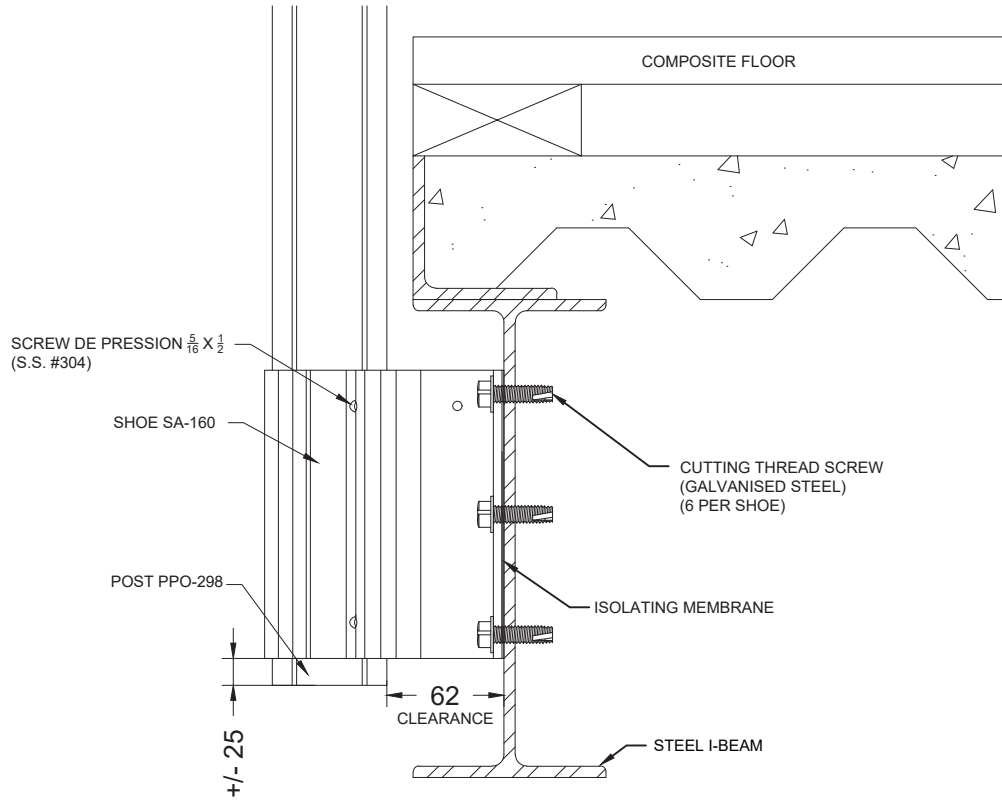


○ DETAIL SA-160
VIEW 1:4

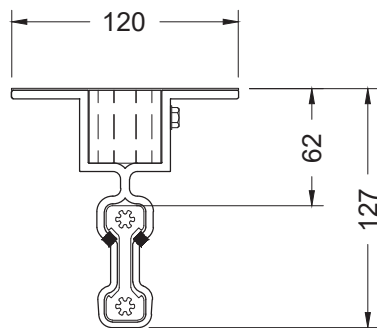
SHOE OPTION SA-160

Scale : 1:4

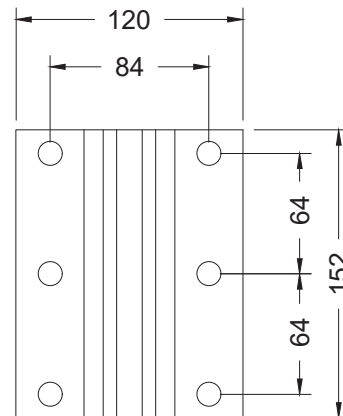
BELLEVUE MODEL - OPENWORK SLAB FRONT - FIXED ON STEEL PROFILE



DETAIL SA-161
VIEW 1:4



DETAIL SA-161
VIEW 1:4

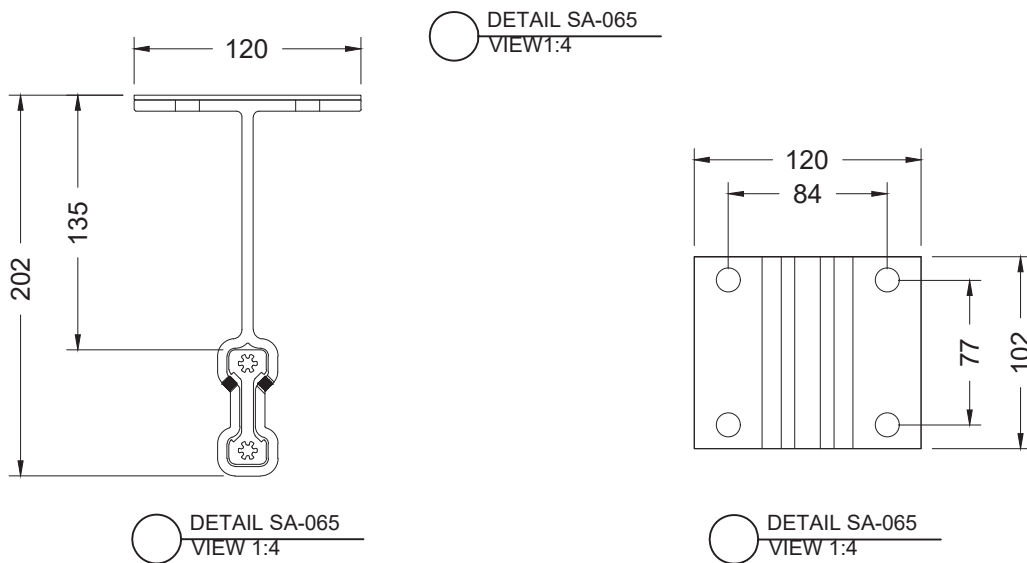
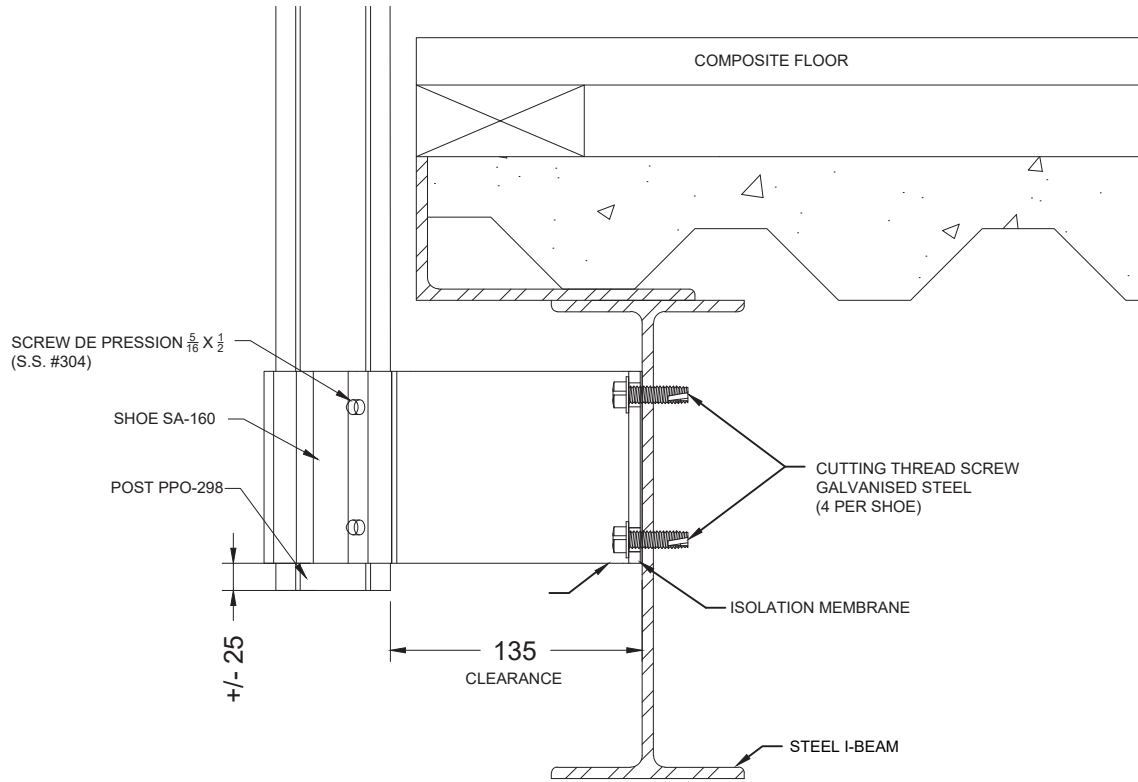


DETAIL SA-161
VIEW 1:4

SHOE OPTION SA-161

Scale : 1:4

BELLEVUE MODEL - OPENWORK SLAB FRONT - FIXED ON STEEL PROFILE



SHOE OPTION SA-065

Scale : 1:4

BELLEVUE MODEL - OPENWORK SLAB FRONT - FIXED ON STEEL PROFILE